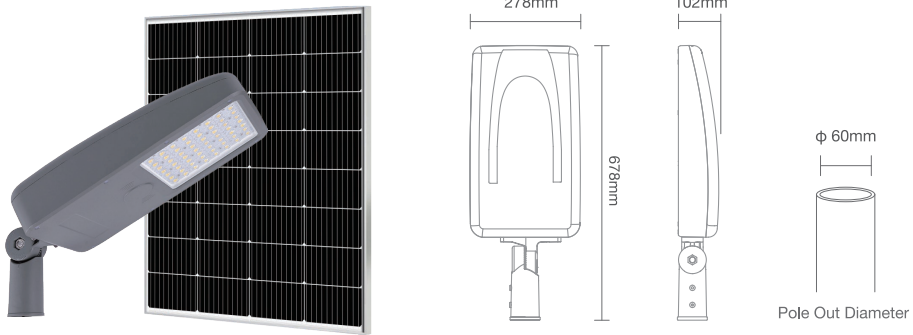
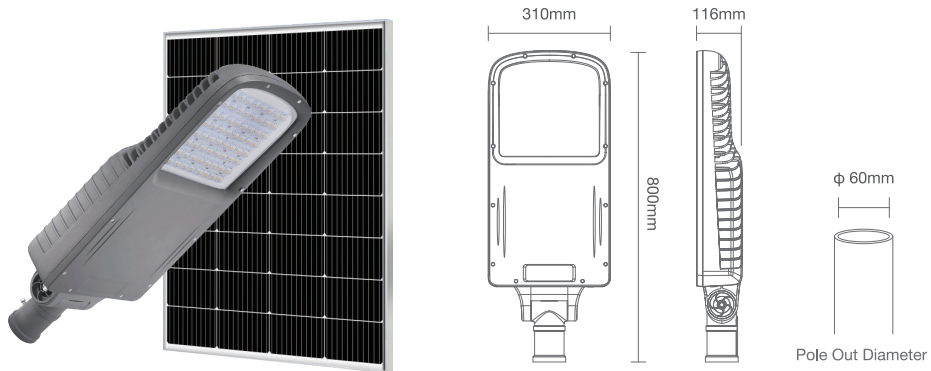


• 40W~80W



• 80W~120W



Materials in Package



Solar Light 1pc



2M 2.5mm² solar cable



Remote Control (Optional)

USER MANUAL

2in1 INTEGRATED SOLAR STREET LIGHT



HOW TO INSTALL THE LIGHT



1. Prepare the solar panel, install it on the light pole, rotate and adjust the solar panel to face the best sunlight, and finally fix it with screws.

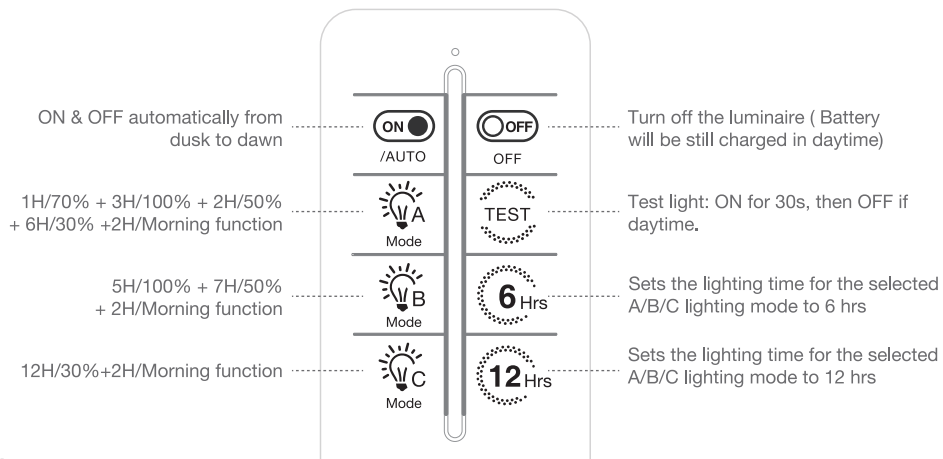


2. Install the lamp on the lamp arm, adjust the angle, and tighten it with screws.



3. Set the lighting program and working durations with the remote control. (Can be also set before the light installation)

REMOTE CONTROL



Note :

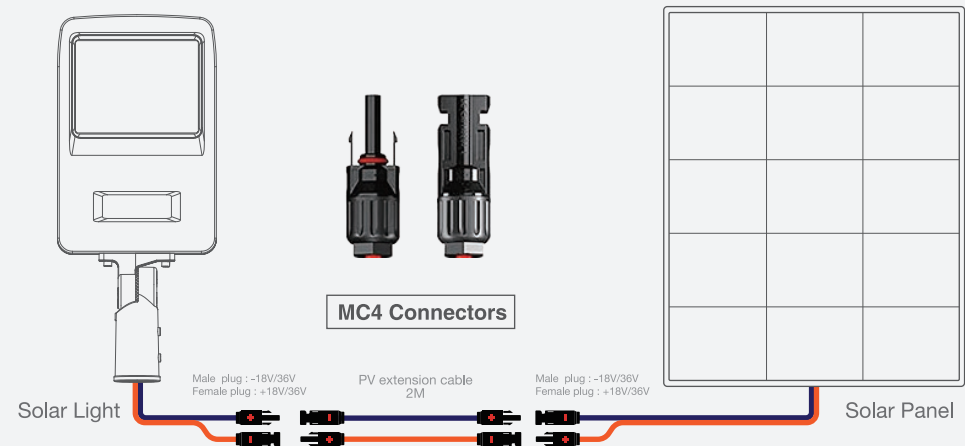
1. Turn on switch button in the solar light before use.
2. Default lighting mode: A.
3. Modes A/B/C programs could be changed prior to notice, pls be subject to the sticker at backside of remote.
4. Press OFF to turn off light (Charging will be still functional), Press ON restores last setted mode.
5. 6Hrs/12Hrs : Set duration for current mode (A/B/C). Press mode button (A/B/C) again to reset to default time.

Example

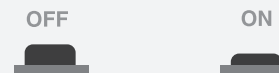
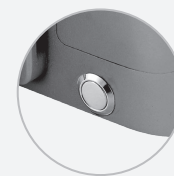


Please note that mode settings (A/B/C) may be updated without prior notification. Please always refer to the label information of the actual remotes you receive.

WIREING CONNECTION



Button Switch



The button should be at ON position to activate the whole system.

Regular Trouble Shot

Problem	Reason	How to solve
Light is off	Switch is off	Turn on the on/off switch of light
	No direct sunshine	Move the light to the direct sunny area
	Continuous cloudy or rainy days	Light will back to work when sun returns
	There is debris on solar panel	Clean the solar panel
Short working time	Location problem	Move the light to the area with direct sunshine
	Continuous cloudy or rainy days	Light will be recharged when sun returns
	Battery life is expired	Replace with a new battery